

Hesheng **BULK BAGS**



Hebei Hesheng plastic products Co., Ltd



COMPANY PROFILE



Hebei Hesheng Plastic Products Co.,Ltd is located in CangZhou city Hebei province,which is near two exports–TianJin Port and HuangHua Port.We are one of the leading manufactures in Fibc Bag for 30years.Our main products are Fibc Bag,Fabric,Weed Mat and PP woven bag.The annual output is more than 30million pieces.We have excellent reputation for quality,reliability and service.Welcome to visit our factory!!!

Mission: to provide customers with long–term high–quality, safe and customized container packaging solutions

Vision: to become the innovation leader and customer preferred supplier of container bag industry

Values: quality first, reputation first

COMPANY ADVANTAGES

WHY CHOOSE US

●Factory

- 1.Manufacturers consume 4,000 tons of raw materials per year.
- 2.Our mission is sustainable innovation for customers satisfaction and development

●Quality Control

- 1.Accept third party agency inspection
- 2.We have the molding technology and rich experience to produce
- 3.We have dust-free workshop to produce products the most suitable products

●Service

- 1.With professional quality and service teams to ensure 100% customers satisfaction
- 2.All goods are made to order offering applicable packaging solutions
- 3.We have proof of environmental protection.Under any conditions,we can guarantee the delivery time of the goods
- 4.We have document in which raw materials can be in contact with food
- 5.Our products can be tested by third parties(SGS,BV,TUV)

We have proof of the passing of printing ink.

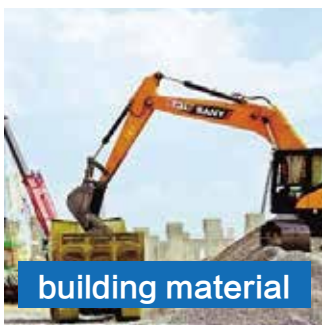


PRODUCT INTRODUCTION



Jumbo bag (FIBC), also known as a big bag, or big jumbo bag, etc., is a type of container bag that has a large size to hold and transport many different products in the form of granules, powders or pieces. Made from woven polypropylene (PP) and usually varies in size depending on the type of product it contains.

APPLICATION AREA



Fibc Bag is widely used in packing, transportation and storage, Such as it can load powder, graininess, massive and liquid goods ect.

HeSheng design team will provide you with the most cost-effective packaging scheme according to your drawings and pictures.

HESHENG BULK BAGS

YOUR INDUSTRY SUPPLY PARTNER



PRODUCT CATEGORY



- Tubular Bulk Bag
- U-Panel Bulk Bag
- Q Bulk Bag/Baffled Bulk Bag
- Fabric
- Loop/Sling/Lifting
- Sling Bag
- PP Woven Bag
- Weed Mat
- Cutting Fabric Machine
- Cutting Loop Machine

PRODUCT
CATEGORY

Hesheng BULK BAGS





PRODUCT FEATURES

Materials:100% virgin PP

The loading capacity of the container bag is between 0.5–3 tons, and the volume is between 500–2300L. The safety factor can be designed by 5:1 and 6:1 according to the requests of clients.

The bulk bag can designed for one–time using and recycling using according to the requests of clients.

Bulk bags are divided into three types: circle,tubular and U–Panel,Bulk bags usually with Filling spout, open or with skirt and discharge spout

Loop options include:Side seam/Cross corner / Fully belted

Top Options:Filling spout, Full open or with skirt/duffel

Bottom options:Discharge spout or flat bottom

SLW:500KG–3000KG /0.5–3T

Safety factor :3:1–8:1

The FIBC Manufacturing Process

Bulk Bag production is a labor–intensive process requiring a high degree of skill and experience. The FIBC manufacturing process can be broken down into 11 basic steps.

Bulk Bag Manufacturing Process Includes:

Resin Extrusion Cutting & Winding Weaving Coating Printing Loops & Webbing Stitching
Quality Inspection Safety Certification Packing Shipping

PRODUCT PERFORMANCE

Suitable Type: Recycling Using/One-Time Using

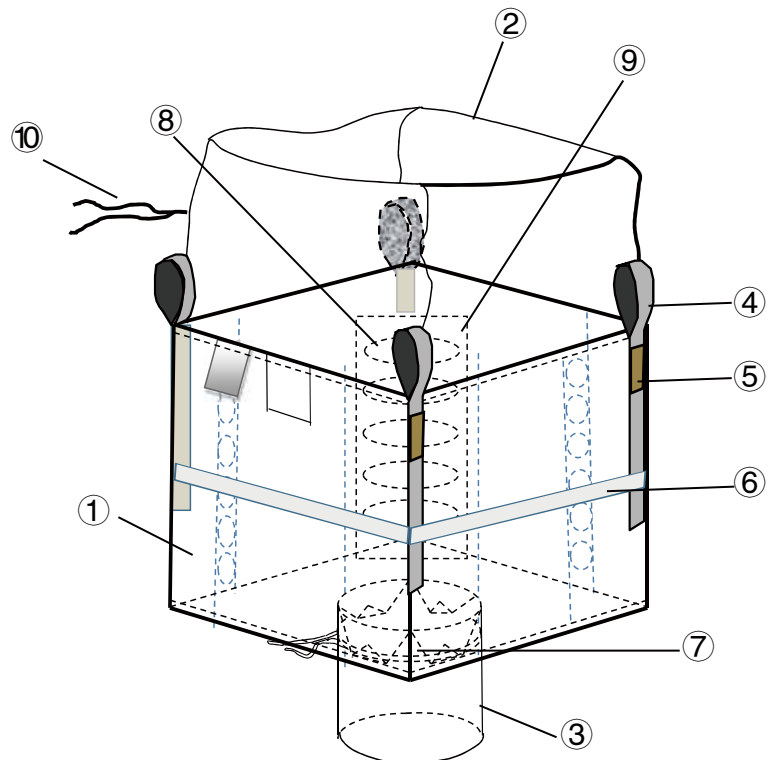
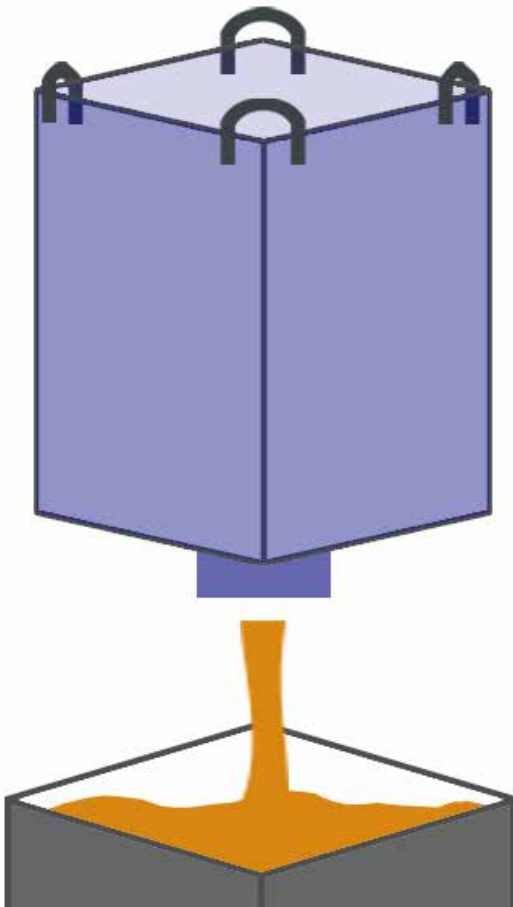
Shape: Tubular/Circular/U-Panel

Loop/Lifting: Side seam/Cross corner / Fully belted



PRODUCT DIAGRAM

Number	name	Material	Number	name	Material
1	Bag body	PP	6	Belt	PP
2	Filling spout	PP	7	triangle	PP
3	Discharge spout	PP	8	Plastic rope	PP
4	Sling	PP	9	bushing	Soft plastic
5	Reinforcing cloth	PP	10	Tie	PP



INSPECTION AND QUALITY CONTROL



To ensure that our products and services to meet or exceed customer requirements and expectations, we are strict with the quality of the products in accordance with the ISO9001 quality & OHSAS18001 standard execution, we are equipped with advanced equipment advanced testing equipment and quality inspection team, Every batch of products is under the effective quality control from the whole process of order to delivery to the customer. In order to achieve the perfect quality and provide customers with continuous reliable trust.





Metal-Detecting Machine:

Specialized for food-grade bulk bags, Cleaning machine: To clean any contaminants.

Test Laboratory:

We have the latest testing equipment for UV aging test, Fabric tensile test, sling tensile test, ultraviolet test, impact test. Strict manufacture production process inspection can ensure the quality of raw materials and finished bulk bags.

ENTERPRISE HONOR



ISO9001

ISO14001

SGS

CE certification

OHSAS18001



Printing license,
Food-grade production

qualification

Dangerous goods packaging
qualification



COOPERATIVE CUSTOMERS

Hebei Hesheng Plastic Products Co., Ltd. has established long-term cooperation with many well-known enterprises at home and abroad, and is willing to work with you to achieve a win-win situation and create a better future.



lc packaging®



BGXT



**For 30 years, our purpose is to
design good quality and low price bulk bag for you.**



Company Address

Tasizhuang Village, Pangu Township, Qing County, Hebei Province, China

Contact

0317-4168868/13315704868

Email

info@hs-bulkbags.com

Company Website

<https://www.hs-bulkbags.com>